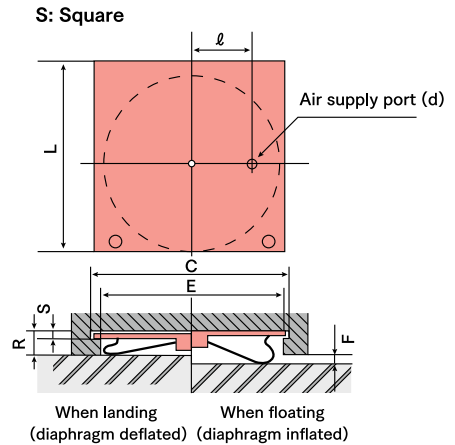
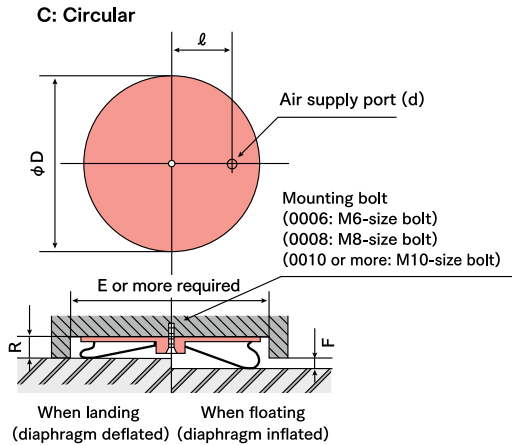


# Round air bearing



Standard type		Medium pressure type		High pressure type		External dimensions (mm)				Installation dimensions (mm)				Lift height F (mm)	Air consumption Q (Nm <sup>3</sup> /min)	Weight (kg)	
Type (0.15Mpa)	Capacity (kN)	Type (0.25Mpa)	Capacity (kN)	Type (0.35Mpa)	Capacity (kN)	Circular C		Square S		Air supply port diameter d (Rc)	Spacer R	Insertion width C	Support width E				Space S
						Width D	Supply position $\ell$	Width L	Supply position $\ell$								
B1-0006	2.3 (230 kg)	-	-	-	-	150	55	150	55	1/8	11	-	-	-	6	0.12	0.7
B1-0008	4.3 (430 kg)	-	-	-	-	195	55	230	55	1/4	14	234	214	9	8	0.12	2.0
B1-0010	6.2 (620 kg)	-	-	-	-	260	80	290	50	3/8	22	294	274	9	10	0.14	3.3
B1-0012	9.0 (900 kg)	-	-	-	-	310	105	340	100	3/8	22	344	324	9	12	0.16	4.7
B1-0014	12.0 (1,200 kg)	C19-0014	20.0 (2,000 kg)	-	-	360	125	390	100	3/8	22	394	374	9	14	0.18	5.9
B1-0017	19.0 (1,900 kg)	C19-0017	31.0 (3,100 kg)	-	-	440	165	470	170	3/8	22	474	454	9	17	0.20	9.0
B1-0020	26.0 (2,600 kg)	C19-0020	43.0 (4,300 kg)	-	-	515	207	550	175	3/8	22	554	534	9	20	0.25	12.0
B1-0024	34.0 (3,400 kg)	C19-0024	57.0 (5,700 kg)	-	-	610	255	640	220	3/8	25	644	624	9	22	0.35	17.0
B1-0030	55.0 (5,500 kg)	C19-0030	90.0 (9,000 kg)	-	-	765	331	800	305	1/2	25	804	784	9	22	0.45	27.0
B1-0036	80.0 (8,000 kg)	C19-0036	133.0 (13,300 kg)	-	-	915	380	950	380	1/2	25	954	934	9	25	0.60	36.0
-	-	C19-0043	189.0 (18,900 kg)	-	-	-	-	1,118	470	1/2	32	-	1,130	-	30	0.90	25.0
-	-	C19-0048	225.0 (22,500 kg)	E19-0048	315.0 (31,500 kg)	-	-	1,220	533	3/4	32	-	1,230	-	40	1.20	30.0
-	-	-	-	E19-0054	390.0 (39,000 kg)	-	-	1,420	615	3/4	40	-	1,430	-	40	1.40	38.0