

CK

機名

図面来歴	
記号	内容

Control panel of central operation room

Open/close limit switch answer-back signal
CVV-1.25sq(2sq)-3C

Explosion-proof limiter

BESTORQUE main unit

Explosion-proof solenoid valve

Air supply(0.3-0.6MPa)

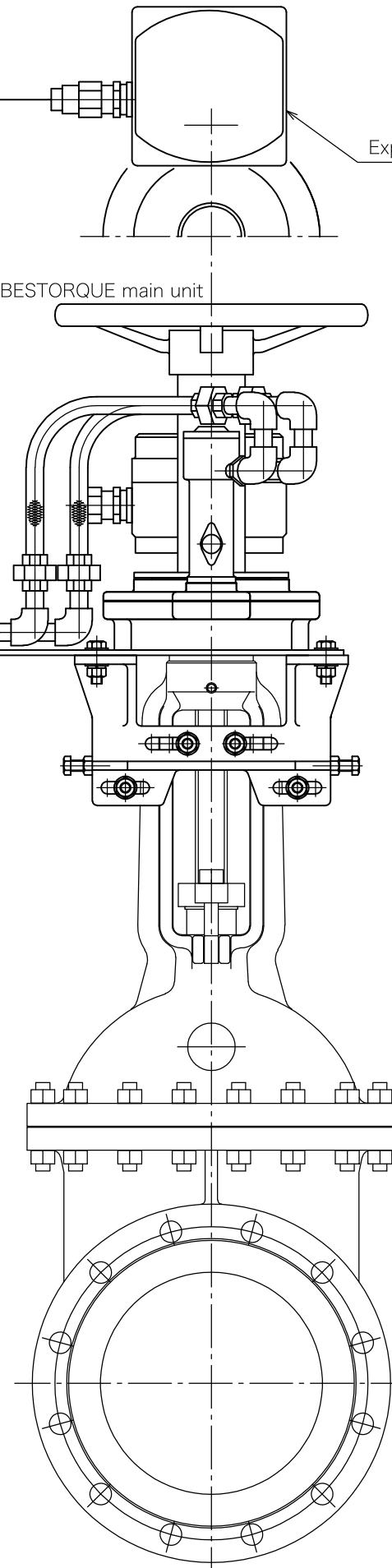
Residual pressure exhaust valve

Air unit (15A)

Air to drive motor
SGPW15A

Operational procedure

- 1) Open/close operation is performed by the action of solenoid valve according to open/close signals from the central operation room's control panel.
- 2) When the valve reaches the fully open or closed position, the electric limiter built in Bestorque main unit transmits an answer-back signal.



TYPE C-1 for remote control

機名 図名	 鋼鋳工業 株式会社	承認	20.11.11 杉岡	照査	20.11.11 杉岡	担当	20.11.11 上田	作成	20.11.11 上田
	ベストールク 接続参考図	外番 図番	尺度		部番	CK			