

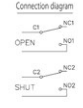

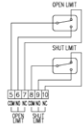

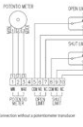

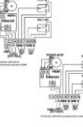
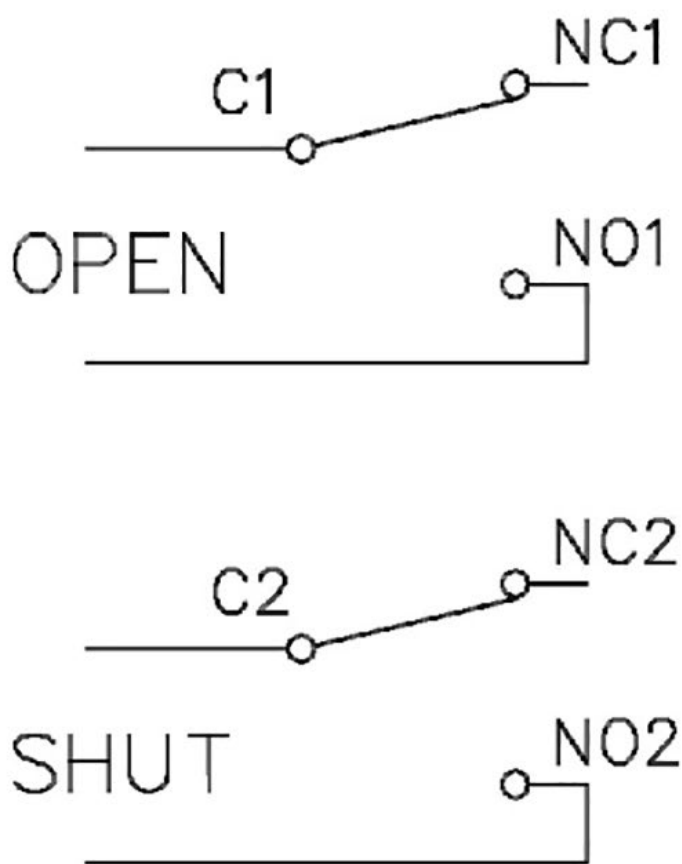


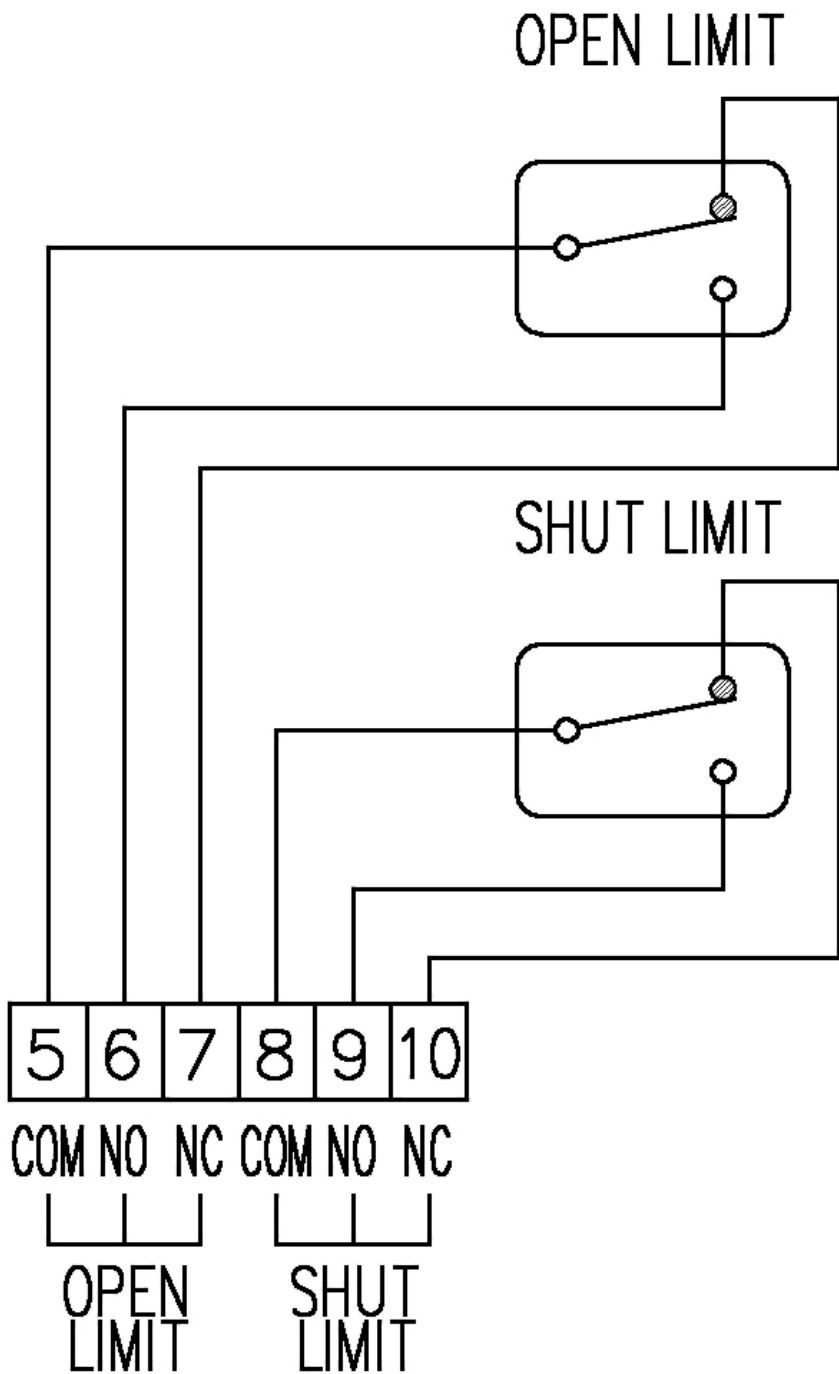
■ Position sensors

	Terminal configuration	Model	Sensor	Function
		AL	Air limiter ■ Air output (2-point detection)	Limit valve action transmits an air signal when the main valve reaches the fully open or closed position.
	 <p>Connection diagram</p> <p> N1 N2 N3 OPEN N01 N2 N3 N4 SHUT N02 </p> <p><small>Note: When connecting with other valves, the signal line to the air signal valve must be connected to the common terminal. The signal line to the air signal valve must be connected to the common terminal.</small></p>	SL	Special limiter ■ Air output (2-point detection) ■ Explosion-proof type switch (2-point detection) ■ Explosion-proof (ExdeIICT6) * Azbil VCX-7001-A1 is applied.	Limit valve action transmits an air signal when the main valve reaches the fully open or closed position. Limit switch action transmits a signal when the main valve reaches the fully open or closed position.
	 <p>OPEN LIMIT SHUT LIMIT</p> <p> N1 N2 N3 N4 N5 N6 N7 N8 N9 N10 N11 N12 N13 N14 N15 N16 N17 N18 N19 N20 N21 N22 N23 N24 N25 N26 N27 N28 N29 N30 N31 N32 N33 N34 N35 N36 N37 N38 N39 N40 N41 N42 N43 N44 N45 N46 N47 N48 N49 N50 N51 N52 N53 N54 N55 N56 N57 N58 N59 N60 N61 N62 N63 N64 N65 N66 N67 N68 N69 N70 N71 N72 N73 N74 N75 N76 N77 N78 N79 N80 N81 N82 N83 N84 N85 N86 N87 N88 N89 N90 N91 N92 N93 N94 N95 N96 N97 N98 N99 N100 </p>	EL	Limiter ■ Built-in counter type limit switch (2-point detection) ■ Explosion-proof (ExdeIIBT5)	Limit valve action transmits an air signal when the main valve reaches the fully open or closed position.
	 <p> N1 N2 N3 N4 N5 N6 N7 N8 N9 N10 N11 N12 N13 N14 N15 N16 N17 N18 N19 N20 N21 N22 N23 N24 N25 N26 N27 N28 N29 N30 N31 N32 N33 N34 N35 N36 N37 N38 N39 N40 N41 N42 N43 N44 N45 N46 N47 N48 N49 N50 N51 N52 N53 N54 N55 N56 N57 N58 N59 N60 N61 N62 N63 N64 N65 N66 N67 N68 N69 N70 N71 N72 N73 N74 N75 N76 N77 N78 N79 N80 N81 N82 N83 N84 N85 N86 N87 N88 N89 N90 N91 N92 N93 N94 N95 N96 N97 N98 N99 N100 </p>	EP	Control unit (with 0-500 Ω output) ■ Built-in counter type limit switch (2-point detection) ■ Built-in potentiometer (0-500 Ω) ■ Explosion-proof (ExdeIIBT5)	Limit valve action transmits an air signal when the main valve reaches the fully open or closed position. The valve opening degree is indicated by an output signal as resistance value (0 to 500 Ω).
	 <p> N1 N2 N3 N4 N5 N6 N7 N8 N9 N10 N11 N12 N13 N14 N15 N16 N17 N18 N19 N20 N21 N22 N23 N24 N25 N26 N27 N28 N29 N30 N31 N32 N33 N34 N35 N36 N37 N38 N39 N40 N41 N42 N43 N44 N45 N46 N47 N48 N49 N50 N51 N52 N53 N54 N55 N56 N57 N58 N59 N60 N61 N62 N63 N64 N65 N66 N67 N68 N69 N70 N71 N72 N73 N74 N75 N76 N77 N78 N79 N80 N81 N82 N83 N84 N85 N86 N87 N88 N89 N90 N91 N92 N93 N94 N95 N96 N97 N98 N99 N100 </p>	EPC	Control unit (with 4-20 mA output) ■ Built-in counter type limit switch (2-point detection) Built-in potentiometer (0-500 Ω) Converter output: 4-20 mA ■ Explosion-proof (ExdeIIBT5)	Limit valve action transmits an air signal when the main valve reaches the fully open or closed position. The valve opening degree is indicated by an output current signal of 4 to 20 mA. (2-wire type or power supply method can be applied.)

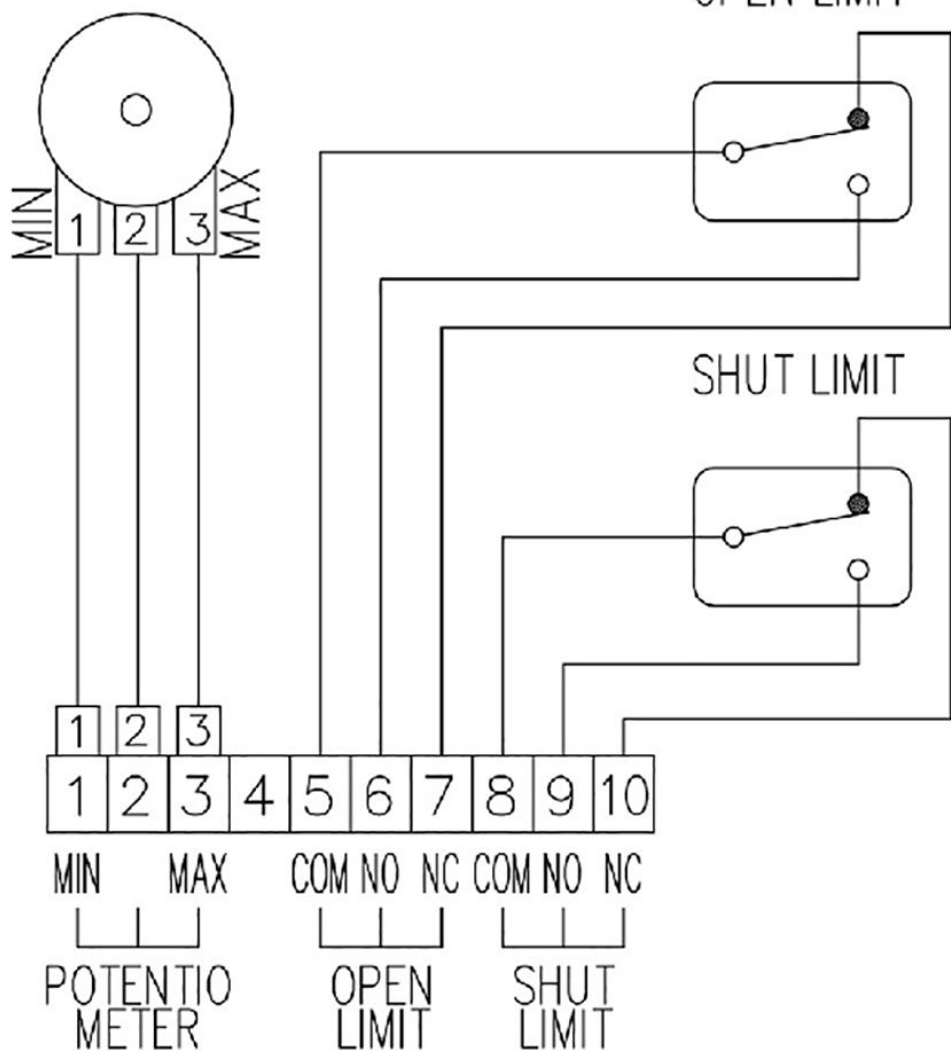
Connection diagram



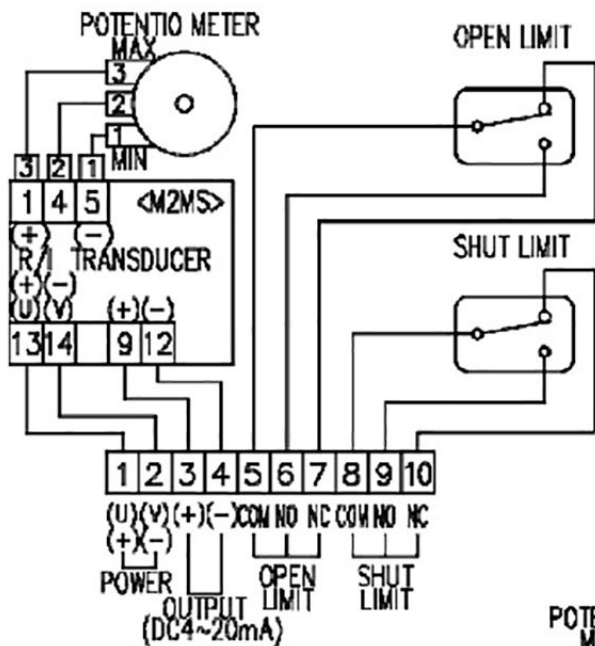
Note: When connecting wires, please follow this diagram. Do not follow the one on the back of the limit switch cover, which is not intended for this sensor unit.



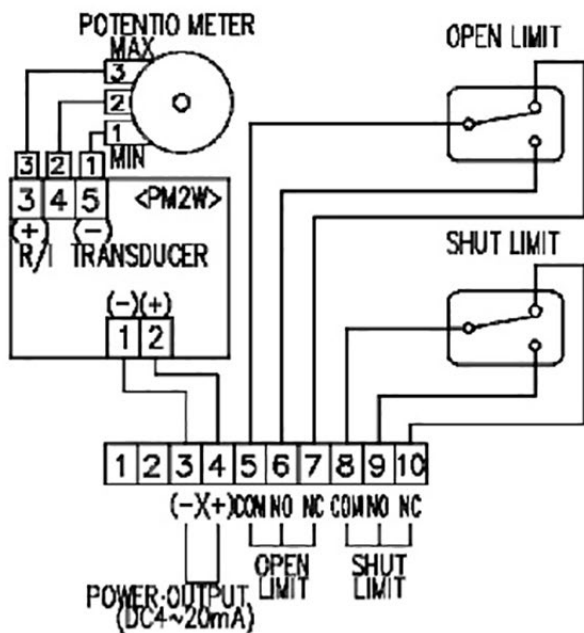
POTENTIO METER



Connection without a potentiometer transducer



Connection with built-in potentiometer transducer M2MS



Connection with built-in potentiometer transducer PM2W