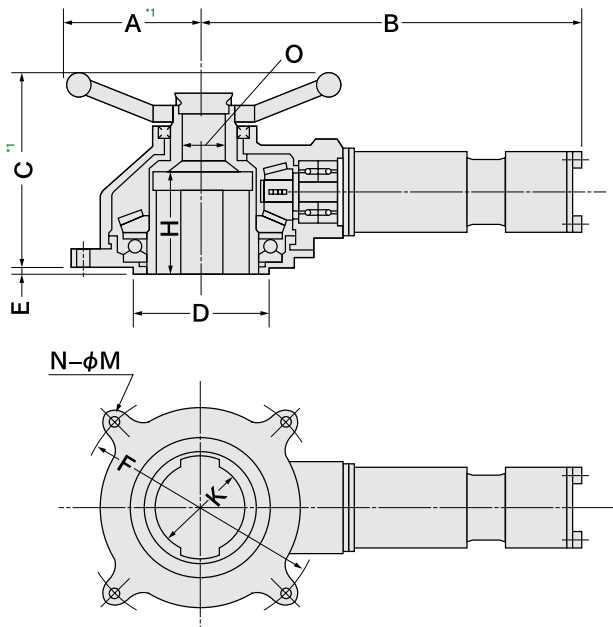


## Outer dimensions and weight



\*1: The standard manual handle is L-shaped. The lengths A and C in the figure above are for the optional wheel-type handle.

## Dimensions

Gear ratio: 1/3

Model	A	B	C	D	E	F	H	K	ØM	N	O	Weight (kg)
SA-P-LPC35	100	215	168	72	3	125	58	47	7	4	30	4.5
SA-P-LPC60		240										4.6
SA-P-HPC35	100	259	168	72	3	125	58	47	7	4	30	5.0
SA-P-HPC60		284										5.1

Note: The weights shown above exclude the handle weight.