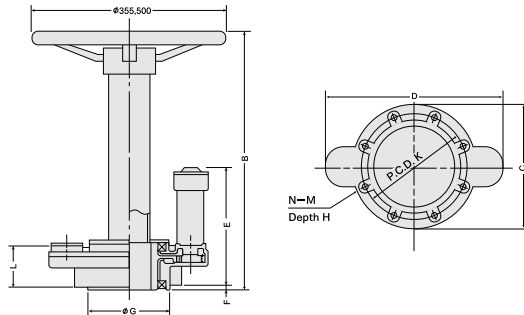


Outer dimensions and weight



Type	A2Z				A4Z				B6Z				C8Z			
Air motor	RHC35	RHC60	SHC42	SHC60	RHC35	RHC60	SHC42	SHC60	RHC35	RHC60	SHC42	SHC60	RHC35	RHC60	SHC42	SHC60
B	401	401	401	401	398	398	398	398	400	400	400	400	420	420	420	420
C	170	170	170	170	200	200	200	200	245	245	245	245	315	315	315	315
D	321	321	321	321	292	292	292	292	319	319	319	319	391	391	391	391
E	228	253	278	296	228	253	278	296	228	253	278	296	246	271	296	314
F	8	8	8	8	8	8	8	8	8	8	8	8	8	8	8	8
G	148	148	148	148	148	148	148	148	175	175	175	175	175	175	175	175
H	16	16	16	16	16	16	16	16	20	20	20	20	24	24	24	24
M	M8	M8	M8	M8	M8	M8	M8	M8	M10	M10	M10	M10	M12	M12	M12	M12
N	8	8	8	8	8	8	8	8	4	4	4	4	4	4	4	4
K	175	175	175	175	175	175	175	175	200	200	200	200	240	240	240	240
L	76	76	76	76	76	76	76	76	76	76	76	76	94	94	94	94
Weight (kg)	22	22	25	25	22	22	25	25	25	25	28	28	34	34	37	37

Note: The weights shown above are for devices with a handle of 500 mm diameter.